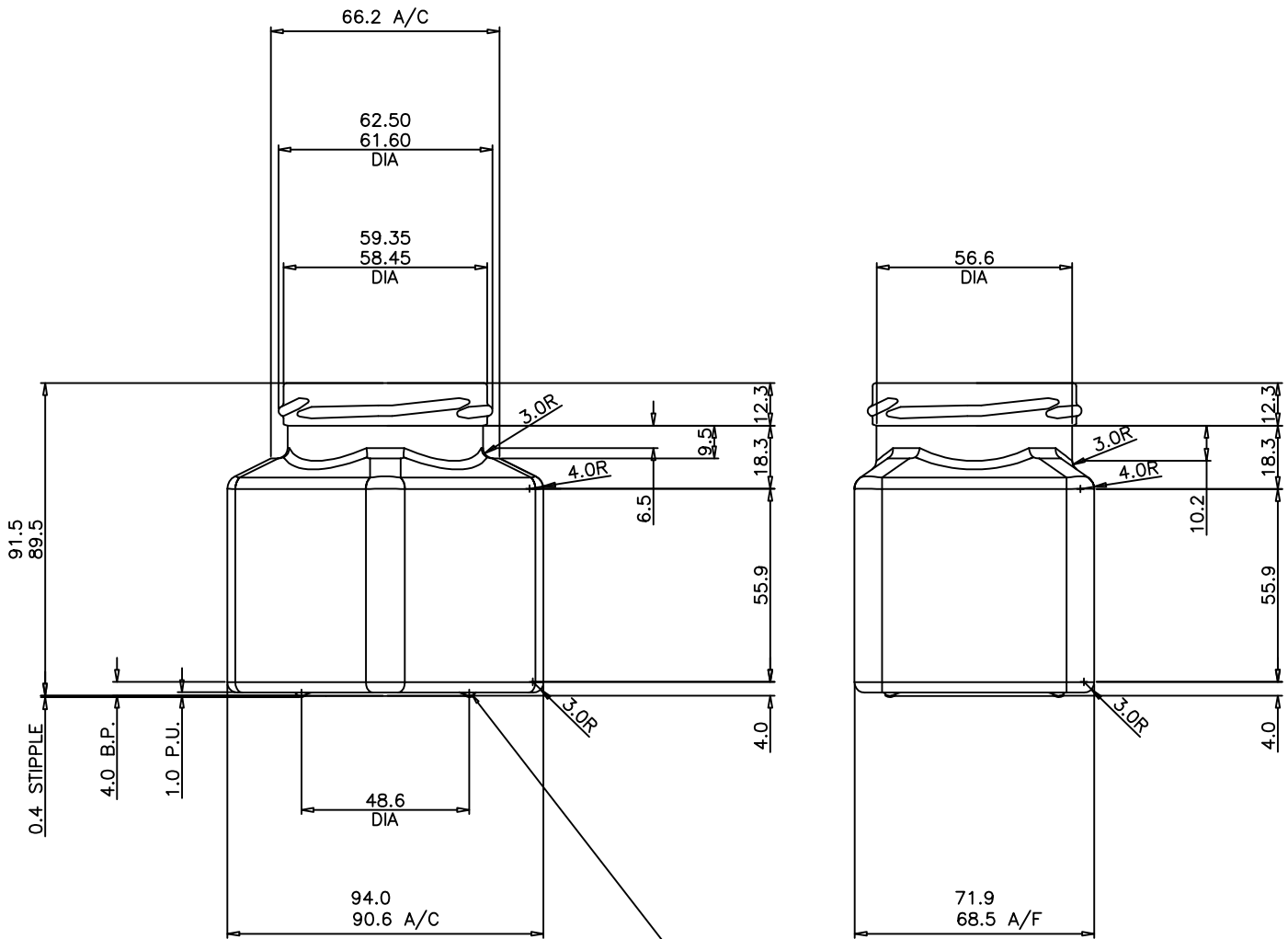


# BEATSON CLARK

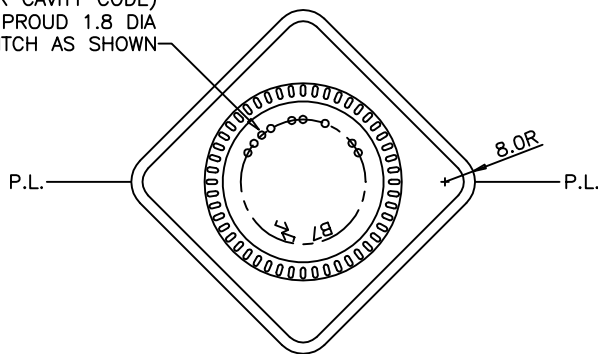


GLASS CONTAINERS



EMBOSSED DOT CODE  
MADE UP OF 13 DOTS  
(9 DOTS PER CAVITY CODE)  
0.45 PROUD 1.8 DIA  
3.0 PITCH AS SHOWN

STACKING RING REF. FD 114



VIEW ON BASE  
SHOWING EMBOSSED MARKINGS  
STANDING AREA EMBOSSED  
WITH RADIAL BAR STIPPLE

SCALE	1:1 (A2)	DESIGNER	CH	200g Square Jar				
DATE	16:07:02	CHECKED	DA					
NECK FINISH	63mm TWIST OFF (FD 138)	REV.A:	RE-TITLED	(DA) AH 05:08:02	NECK REF. No.			
APPROX. WEIGHT	225 g	REV.B:	DOT CODE DETAILS ADDED TO BASE		(DNA) DA 03/05/12	2K9/C1		
FILL POINT	0.0mm down					JOB No.		4249
CAPACITY TO FILL POINT	282.0 ml					DRAWING No.		B7406/B
CAPACITY TOLERANCE (BULK) ±	4.6 ml							
CAPACITY BRIMFULL	282.0 ml							
Note: Filling point measured from top centrally inside neck unless otherwise specified.		Untoleranced dimensions are for mould making guidance only and should be regarded as approximate.		This drawing and the design of the article in the drawing are each the property of Beatson Clark plc, Rotherham. Neither the drawing nor the design shall be copied without the previous written authority of Beatson Clark plc.				
DIMENSIONS IN MILLIMETRES								